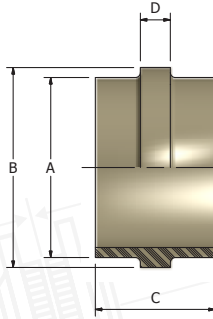


FABRICATED WALL ANCHOR

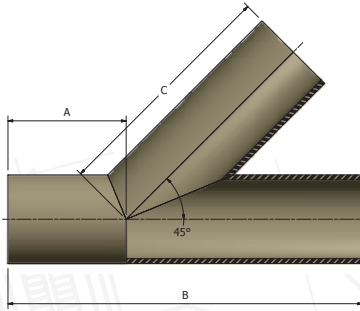


Nominal Size	A	B	C	D	Product Code
2"	2.375	3.90	10.00	0.750	11530200**
3"	3.500	5.00	10.00	1.125	11530300**
4"	4.500	6.60	10.00	1.500	11530400**
6"	6.625	8.50	12.00	2.000	11530600**
8"	8.500	10.60	12.00	2.500	11530800**
10"	10.500	12.75	12.00	2.750	11531000**
12"	12.750	15.50	18.00	3.000	11531200**
14"	14.00	17.50	18.00	3.250	11531400**
16"	16.000	20.00	18.00	3.500	11531600**
18"	18.000	21.10	18.00	4.000	11531800**
20"	20.000	23.50	18.00	4.500	11532000**
22"	22.000	25.60	18.00	4.500	11532200**
24"	24.000	27.90	24.00	4.000	11532400**
26"	26.000	29.75	24.00	5.250	11532600**
28"	28.000	32.00	24.00	5.500	11532800**
30"	30.000	34.00	24.00	5.750	11533000**
32"	32.000	36.13	24.00	6.000	11533200**
36"	36.000	40.50	24.00	6.500	11533600**
42"	42.000	47.13	48.00	6.000	11534200**
48"	48.000	53.50	48.00	6.500	11534800**
54"	54.000	59.63	48.00	6.000	11535400**

**Asterisks represent DR

Measurement in inches

FABRICATED
45° LATERAL WYE

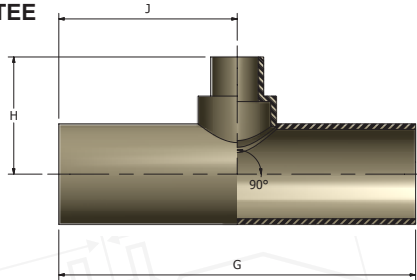


Nominal Size	A	B	C	Product Code
2"	5.80	25.00	17.50	10080200**
3"	6.78	25.00	18.70	10080300**
4"	5.89	26.50	19.50	10080400**
6"	6.38	35.50	27.90	10080600**
8"	12.00	58.00	44.00	10080800**
10"	13.00	58.00	44.00	10081000**
12"	16.00	64.00	48.00	10081200**
14"	16.00	64.00	48.00	10081400**
16"	19.00	73.00	54.00	10081600**
18"	19.00	73.00	54.00	10081800**
20"	22.00	109.00	87.00	10082000**
22"	22.00	109.00	87.00	10082200**
24"	22.00	109.00	87.00	10082400**

**Asterisks represent DR

Measurements in inches

FABRICATED SADDLE REDUCING TEE

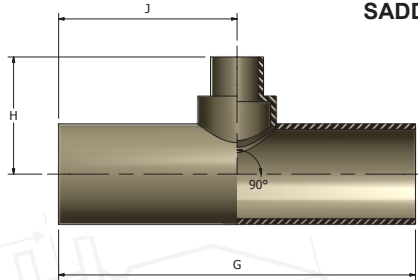


Nominal Size	G	H	J	Product Code
3" x 2"	16.00	6.625	6.125	11190302**
4" x 2"	16.00	6.625	6.125	11190402**
4" x 3"	24.00	6.625	9.500	11190403**
6" x 2"	16.00	7.300	6.125	11190602**
6" x 3"	24.00	7.300	9.500	11190603**
6" x 4"	24.00	8.300	9.000	11190604**
8" x 2"	16.00	8.300	6.125	11190802**
8" x 3"	24.00	8.300	9.500	11190803**
8" x 4"	24.00	9.800	9.000	11190804**
8" x 6"	28.00	10.300	9.813	11190806**
10" x 2"	16.00	9.375	6.125	11191002**
10" x 3"	24.00	9.375	9.500	11191003**
10" x 4"	24.00	10.875	9.000	11191004**
10" x 6"	28.00	12.375	9.813	11191006**
10" x 8"	30.00	13.375	9.875	11191008**
12" x 2"	16.00	10.375	6.125	11191202**
12" x 3"	24.00	10.375	9.500	11191203**
12" x 4"	24.00	11.875	9.000	11191204**
12" x 6"	28.00	12.375	9.813	11191206**
12" x 8"	30.00	12.375	9.875	11191208**
12" x 10"	30.00	30.375	8.750	11191210**
14" x 2"	16.00	11.000	6.125	11191402**
14" x 3"	24.00	11.000	9.500	11191403**
14" x 4"	24.00	12.500	9.000	11191404**

**Asterisks represent DR

continued....
Measurements in inches

FABRICATED
SADDLE REDUCING TEE



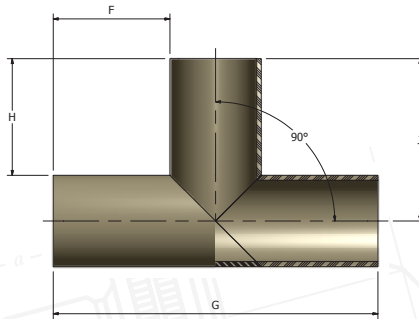
Nominal Size	G	H	J	Product Code
14" x 6"	28.00	13.000	9.813	11191406**
14" x 8"	30.00	13.000	9.875	11191408**
14" x 10"	30.00	31.000	8.750	11191410**
16" x 2"	16.00	12.000	6.125	11191602**
16" x 3"	24.00	12.00	9.500	11191603**
16" x 4"	24.00	13.500	9.000	11191604**
16" x 6"	28.00	14.00	9.813	11191606**
16" x 8"	30.00	14.000	9.875	11191608**
16" x 10"	30.00	32.000	8.750	11191610**
16" x 12"	32.00	32.000	8.600	11191612**
18" x 2"	16.00	13.000	6.125	11191802**
18" x 3"	24.00	13.000	9.500	11191803**
18" x 4"	24.00	14.500	9.000	11191804**
18" x 6"	28.00	15.000	9.813	11191806**
18" x 8"	30.00	15.000	9.875	11191808**
18" x 10"	30.00	33.000	8.750	11191810**
18" x 12"	32.00	33.000	8.600	11191812**
20" x 6"	28.00	16.000	9.810	11192006**
20" x 8"	30.00	16.000	9.880	11192008**
20" x 10"	30.00	34.00	8.750	11192010**
20" x 12"	32.00	34.00	8.600	11192012**
20" x 16"	36.00	36.000	8.500	11192016**
22" x 6"	28.00	17.000	9.810	11192206**
24" x 6"	28.00	18.00	9.810	11192406**

**Other sizes available on request

**Asterisks represent DR

Measurements in inches

FABRICATED TEE

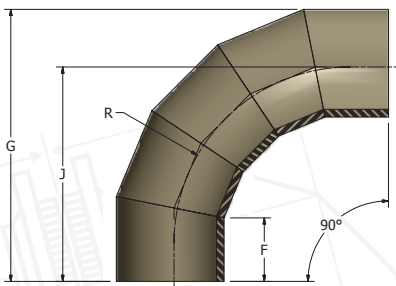


Nominal Size	F	G	J	H	Product Code
8"	19.69	48	24	19.69	11160800**
10"	18.63	48	24	18.63	11161000**
12"	17.63	48	24	17.63	11161200**
14"	17	48	24	17.00	11161400**
16"	16	48	24	16.00	11161600**
18"	15	48	24	15.00	11161800**
20"	14	48	24	14.00	11162000**
22"	13	48	24	13.00	11162200**
24"	12	48	24	12.00	11162400**
26"	14	54	27	14.00	11162600**
28"	14	56	28	14.00	11162800**
30"	14	58	29	14.00	11163000**
36"	20	76	51	33.00	11163600**
42"	20	82	54	33.00	11164200**
48"	20	88	57	33.00	11164800**
54"	20	94	60	33.00	11165400**

**Other sizes available on request

**Asterisks represent DR

**FABRICATED
90° ELBOW - 5 SEGMENT**

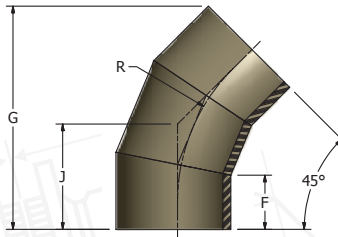


Nominal Size	F	G	J	R	Product Code
2"	4.0	15.94	14.750	13.125	10150200**
3"	4.0	17.00	15.250	13.625	10150300**
4"	5.0	19.13	16.875	14.250	10150400**
6"	6.0	20.19	16.875	15.250	10150600**
8"	6.5	24.69	20.375	16.250	10150800**
10"	6.5	26.75	21.375	17.250	10151000**
12"	8.0	31.25	24.875	19.500	10151200**
14"	8.0	33.25	26.250	21.000	10151400**
16"	8.0	36.88	28.875	24.000	10151600**
18"	8.0	40.38	31.375	27.000	10151800**
20"	8.0	44.00	34.000	30.000	10152000**
22"	8.0	47.63	36.625	33.000	10152200**
24"	8.0	51.25	39.25	36.000	10152400**
26"	14.0	60.88	47.875	39.000	10152600**
28"	14.0	64.38	50.375	42.000	10152800**
30"	14.0	68.00	53.000	45.000	10153000**
32"	14.0	71.63	55.625	48.000	10153200**
36"	14.0	78.88	60.875	54.000	10153600**
42"	21.0	96.63	75.625	63.000	10154200**
48"	21.0	107.50	83.500	72.000	10154800**
54"	21.0	118.25	91.250	81.000	10155400**

**Asterisks represent DR

Measurements in inches

FABRICATED 45° ELBOW - 3 SEGMENT

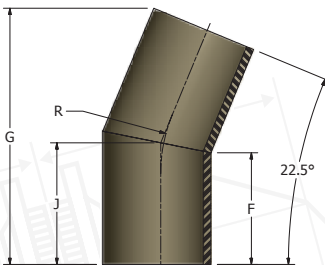


Nominal Size	F	G	J	R	Product Code
2"	4.00	12.90	7.000	13.125	10060200**
3"	4.00	13.69	7.250	13.625	10060300**
4"	5.00	16.11	8.500	14.250	10060400**
6"	6.00	19.32	10.000	15.250	10060600**
8"	6.50	21.58	10.875	16.250	10060800*
10"	6.50	23.09	11.250	17.250	10061000**
12"	8.00	27.52	13.500	19.500	10061200**
14"	8.00	28.64	13.875	21.000	10061400**
16"	8.00	30.74	14.750	24.000	10061600**
18"	8.00	33.08	15.625	27.000	10061800**
20"	8.00	35.19	16.500	30.000	10062000**
22"	8.00	37.30	17.250	33.000	10062200**
24"	8.00	39.40	18.250	36.000	10062400**
26"	14.00	51.85	25.000	39.000	10062600**
28"	14.00	54.09	25.880	42.000	10062800**
30"	14.00	56.02	26.625	45.000	10063000**
32"	14.00	58.31	27.500	48.000	10063200**
36"	14.00	62.52	29.220	54.000	10063600**
42"	21.00	81.02	38.750	63.000	10064200**
48"	21.00	87.34	41.250	72.000	10064800**
54"	21.00	93.90	43.750	81.000	10065400**

**Asterisks represent DR

Measurements in inches

FABRICATED
22.5° ELBOW - 2 SEGMENT



Nominal Size	F	G	J	R	Product Code
2"	4.00	8.60	4.250	13.125	11510200**
3"	4.00	9.03	4.375	13.625	11510300**
4"	5.00	11.34	5.500	14.250	11510400**
6"	6.00	14.08	6.625	15.250	11510600**
8"	6.50	15.81	7.375	16.250	11510800**
10"	6.50	16.62	7.625	17.250	11511000**
12"	8.00	20.27	9.250	19.500	11511200**
14"	8.00	20.75	9.375	21.000	11511400**
16"	8.00	21.51	9.625	24.000	11511600**
18"	8.00	22.28	9.750	27.000	11511800**
20"	8.00	23.04	10.000	30.000	11512000**
22"	8.00	23.81	10.250	33.000	11512200**
24"	8.00	24.58	10.375	36.000	11512400**
26"	14.00	36.88	16.625	39.000	11512600**
28"	14.00	37.65	16.750	42.000	11512800**
30"	14.00	38.41	17.000	45.000	11513000**
32"	14.00	39.18	17.125	48.000	11513200**
36"	14.00	40.71	17.625	54.000	11513600**
42"	21.00	56.47	25.125	63.000	11514200**
48"	21.00	58.77	25.750	72.000	11514800**
54"	21.00	61.07	26.375	81.000	11515400**

**Asterisks represent DR

Measurements in inches